

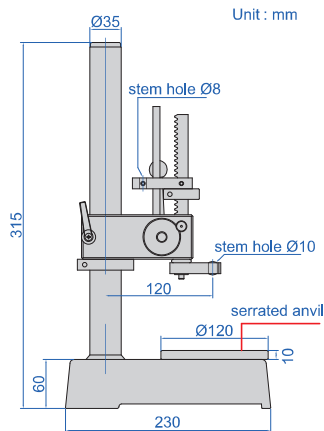
STAND FOR SPLIT TYPE DIAL BORE GAUGES



2491-250



2491-HOLDER

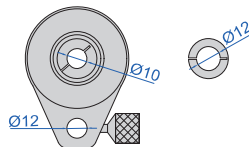


- For split type dial bore gauges **2421, 2426, 2427 and 2429**; for bore plug gauges **4653**
- Maximum working stroke: 50mm
- Can hold digital/dial indicator to read the measuring value

Code

2491-250

Unit : mm



Floating holder

Code

2491-HOLDER

Suitable for automatic measurement